

Item description/product images

**Description****Material:**

Hinge and caps fibreglass reinforced PA thermoplastic.
Hinge pin stainless steel.

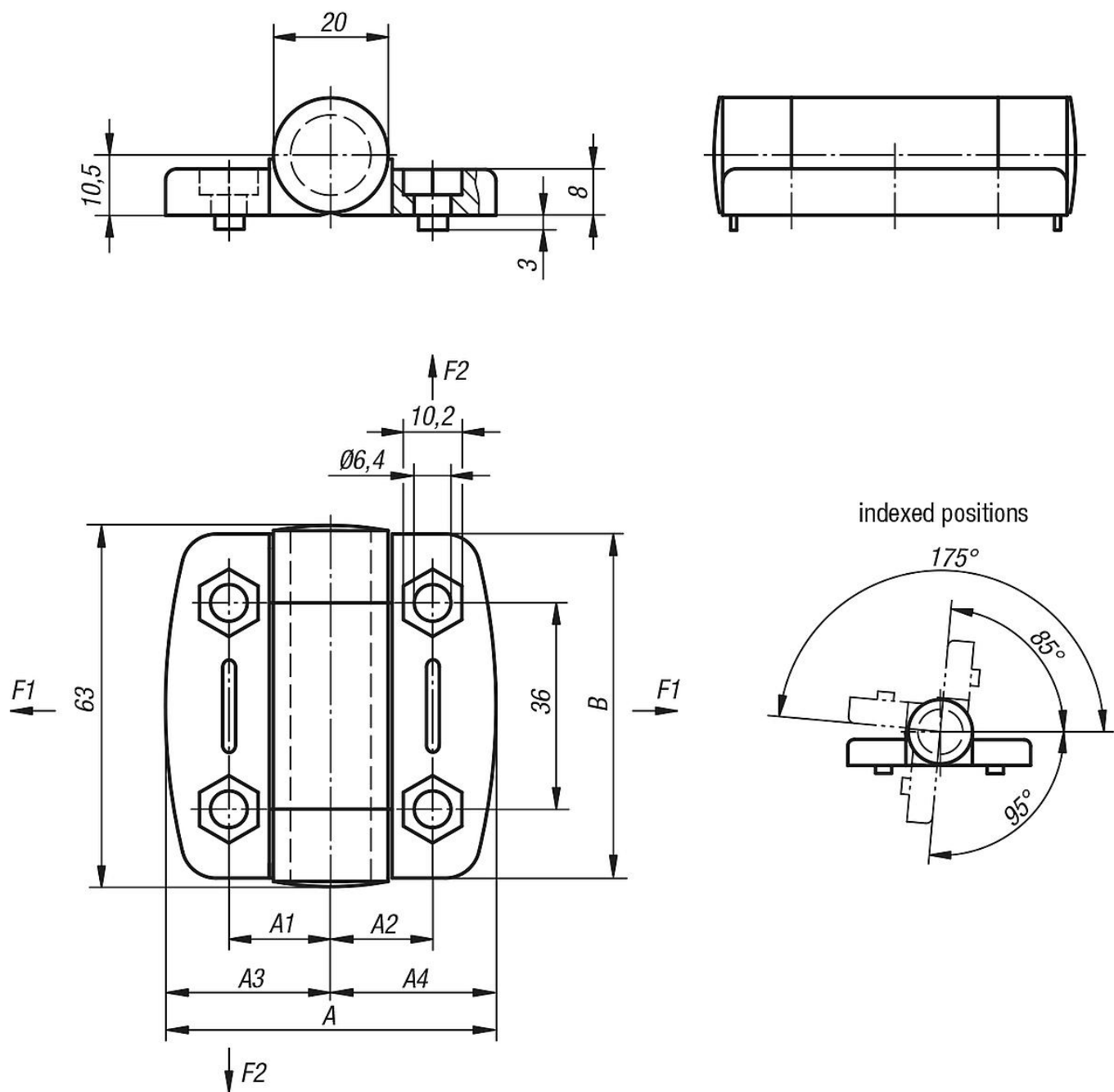
Version:

Hinge and caps black.
Pin bright.

Note:

These hinges have a detent mechanism. This mechanism holds a door or lid open at three different angles or tightly closed. The hinges are available with or without guide tabs for aluminium profile slots.

Drawings



Overview of items

Order No.	A	A1	A2	A3	A4	B	Guide tabs for slot	F1 max. kN	F2 max. kN
27857-56181800	54	17,75	17,75	27	27	56	-	0,4	0,35
27857-56181806	54	17,75	17,75	27	27	56	6	0,4	0,35
27857-56181808	54	17,75	17,75	27	27	56	8	0,4	0,35
27857-56232300	73,5	22,75	22,75	36,75	36,75	56	-	0,6	0,425
27857-56232308	73,5	22,75	22,75	36,75	36,75	56	8	0,6	0,425
27857-56232310	73,5	22,75	22,75	36,75	36,75	56	10	0,6	0,425

