

Item description/product images



Description

Material:

Aluminium 6060 T5.
Sleeve POM.
Set screw stainless steel.
Washers PA.
Fastening screws steel.

Version:

Black anodised.
Fastening screws electro zinc-plated.

Note:

These friction hinges allow doors to remain open at any desired angle. A set screw allows the amount of friction to be infinitely adjusted between 0–5 Nm. Opening angle 225°.

Max. tensile strength: 6000 N
Max. shear strength: 5000 N

Temperature range:

From -20°C to +80°C

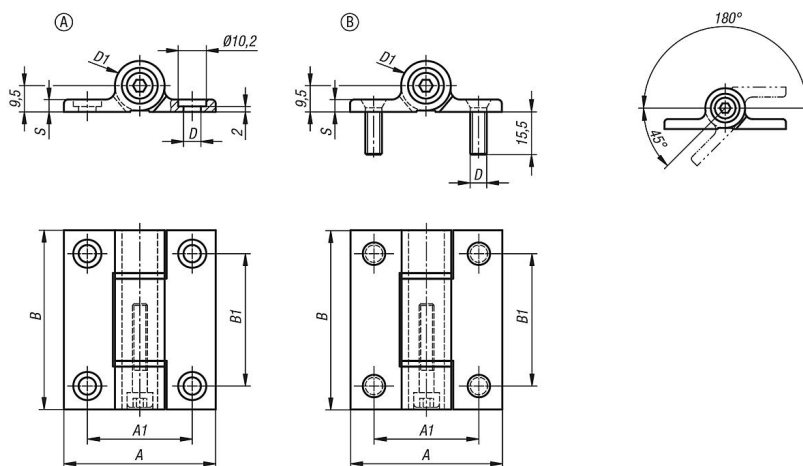
Accessory:

Socket head screws with hexagon socket DIN 912/EN ISO 4762.

Drawing reference:

Form A: fastened using DIN 912/EN ISO 4762 socket head screws.
Form B: fastened using threaded pins.

Drawings



Overview of items

Order No.	Form	A	A1	B	B1	D	D1	S
27860-55651	A	55	38	65	48	6,3	18	4,5
27860-556511	B	55	38	65	48	6,3	18	4,5

Overview of items
